

電動連發槍

THE ELECTRCITY

STIR REPEATING RIFLE

電汽槍是本公司2004年推出市場一個新系列產品，該產品採用大功率電機，高能量鎳錳電池，充電器，經過工程師刻苦鑽研，反復測試，製作出高技術，高品質，發射BB子彈力度強，射程遠，自然流暢的電汽槍。為了你享受到槍的真實感及正確使用電汽槍，請參照本公司工程師要求事項及使用說明書。

1. 使用前電池充電要求4小時以上，要求使用本公司生產6mm的BB子彈。
2. 沒有裝BB彈之前請不要扣動扳機或長時間扣動扳機。
3. 裝BB彈時嚴格檢查，不能帶有毛細零碎雜質。
4. 請使用優質BB彈，亂用劣質BB彈會造成槍管堵塞及破壞波箱，齒輪電機的质量。
5. BB彈射擊后回收使用，檢查是否缺圓，擊碎或粘有雜質。
6. 不能改換產品的電機，齒輪，彈簧。
7. 電汽槍工作過程供電不足，要停止使用重新充電。
8. 本產品設計BB彈上彈是自然引力，在使用時如果出現空槍的現象，請上下搖動，使BB彈進入軌道。
9. 電汽槍是體育競技一個品種，嚴禁未滿18歲青少年使用，嚴禁在公共場所或人羣密集的地方使用，槍口不準對準人或動物。

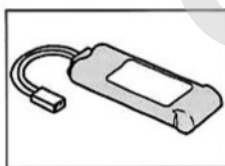


警告 • 注意

WARNING • COUTION



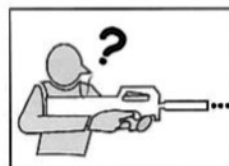
Never operate the selector lever while pulling the trigger.



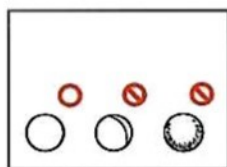
Use the specified marui battery.



Pulling the trigger with the safety lever being set to safe may damage the gun.



Smell may be generated from the motor for a while when a new air gun is operated, this is the normal operation of the gun.



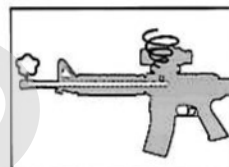
Always use the marui BB Bullet for this air gun. We shall not be held responsible for any damage or accidents arising from the use of bullets supplied by other manufacturers.



Never drop the gun.



Always attach the protective cap and disconnect the magazine to avoid sudden operation upon connecting the connector to the battery.



Be careful during maintenance. As the inside chamber is precisely designed it can be damaged easily. Use of a hard brush may damage the hop chamber packing.



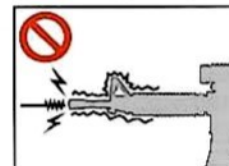
Never use any used BB bullets.



Be careful not to catch your fingers in the moving parts.

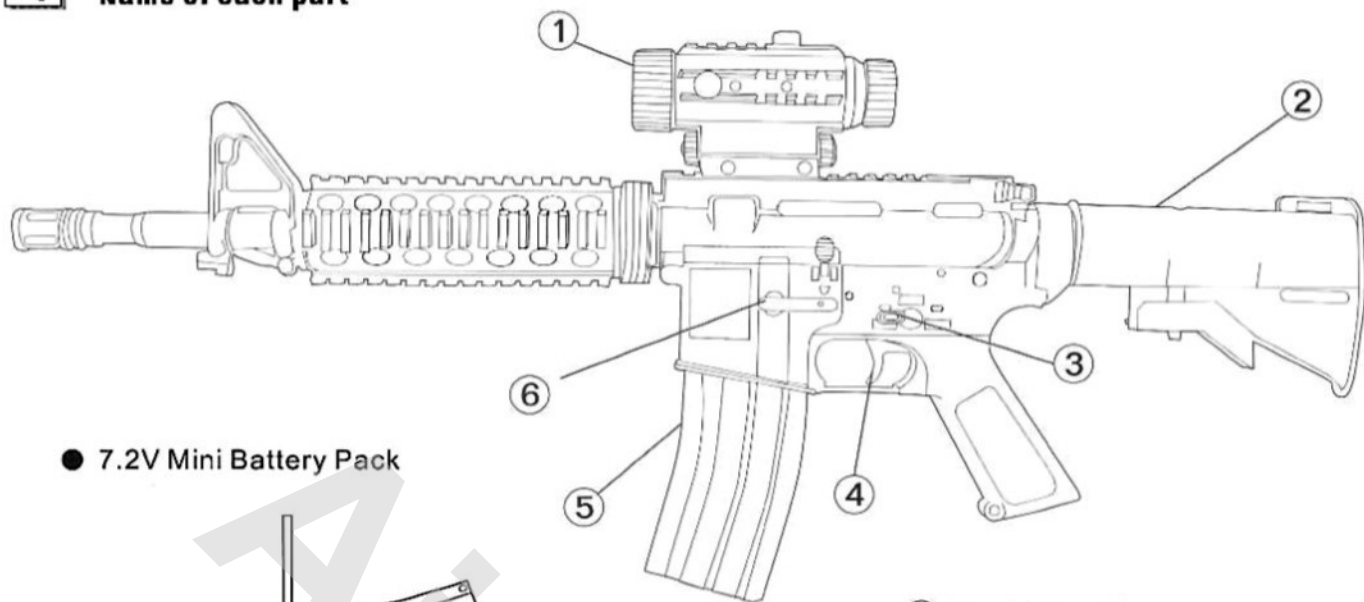


Don't disassemble beyond what is necessary. Or the gun may be damaged.

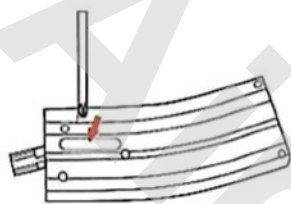


When bullets are clogged, immediately stop operation. Remove clogged bullets and then restart operation of the air gun. (if operation is continued with bullets being clogged, the mechanism may be damaged.)

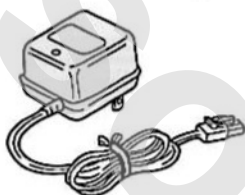
1 各部位名称
Name of each part



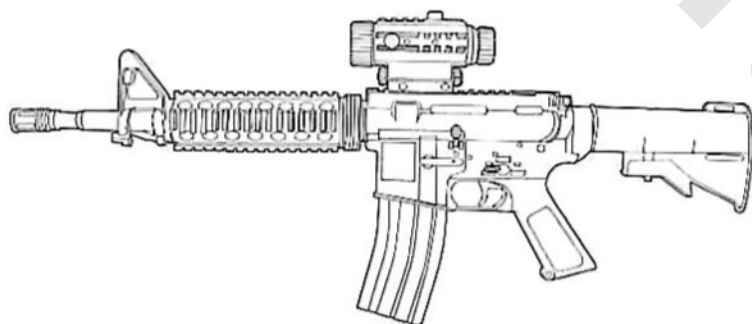
● 7.2V Mini Battery Pack



● Exclusive Charger For Mini Battery

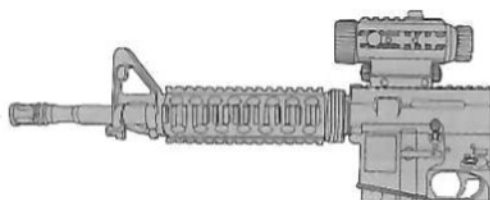
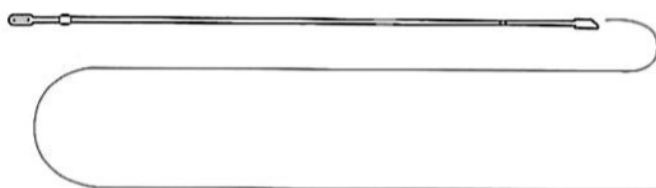


- ① Bestdot sight
- ② Stock
- ③ Safety lever
- ④ Trigger
- ⑤ Magazine
- ⑥ Magazine release button



High capacity silencer.
Triple mounted rails allow for installing option parts.
Double nut system fixes silencer tightly.
Comes with Compensator as standard, alternative to silencer.
Urban gray camouflage design.
One-touch release of Upper receiver from main frame.
Super real magazine including the dummy cartridge.
Butt plate with falling-proof lock.
The latest New Version 6 gearbox built in Eg1000 High-torque motor.
Hi capacity variable Hop-up system

2 解图说明
Solution diagram elucidation



When the gun tube stem, use the plastics stick stop the thing pure drop.

3 電池安裝 Install the battery

- ① 按下電池按鈕，
退出電池盒。
Press the battery button,
and withdraw the battery box.

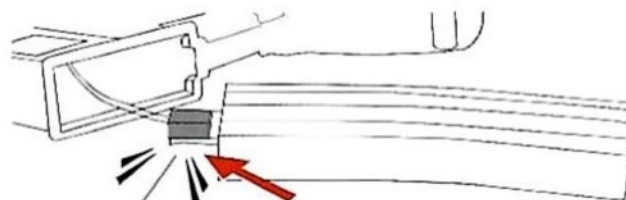


Do not hook the cord before connecting the connector correctly. Otherwise, it may cause breaking down or a short circuit.

- ② 打開電池盒蓋
Open a cover



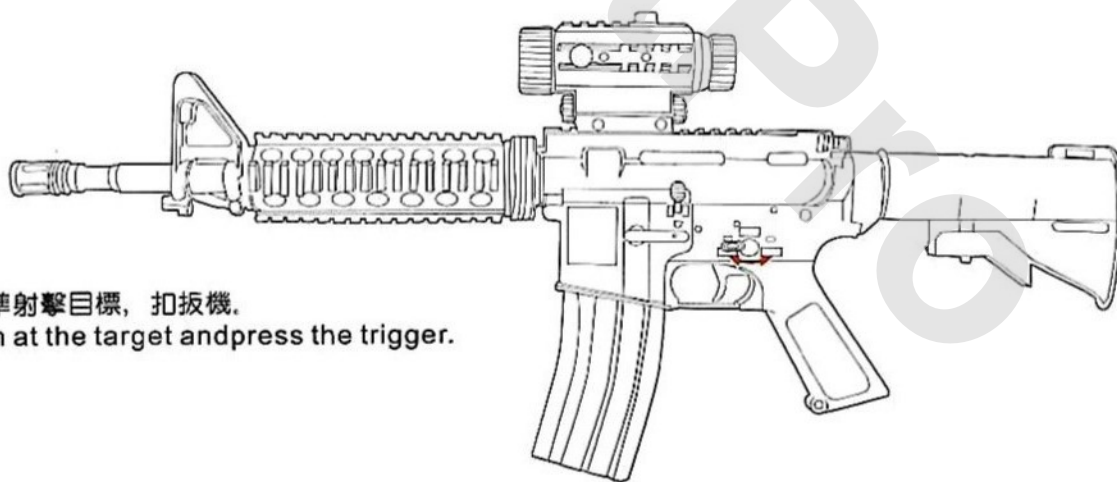
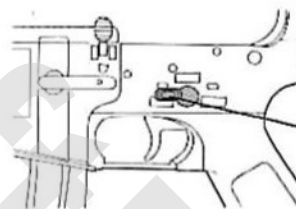
③



電線插口
Electric wire socket

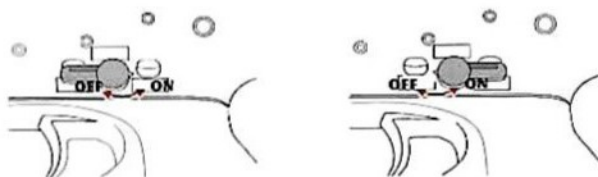
4 射击前准备 Prepare before shoot

Set the selector correctly in position;
otherwise, malfunction may occur.



對準射擊目標，扣扳機。
Aim at the target and press the trigger.

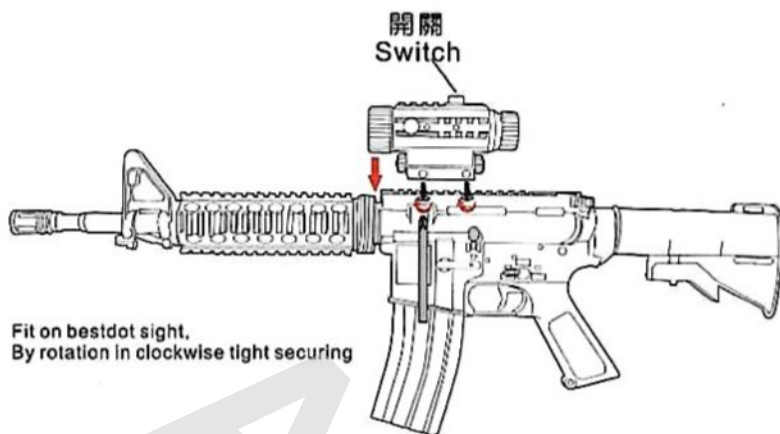
當開關撥至“OFF”時，扳機鎖閉；當開關撥至“ON”時，扳機開放
When switch for “OFF”， trigger be locking. When switch for “ON”， trigger opening.



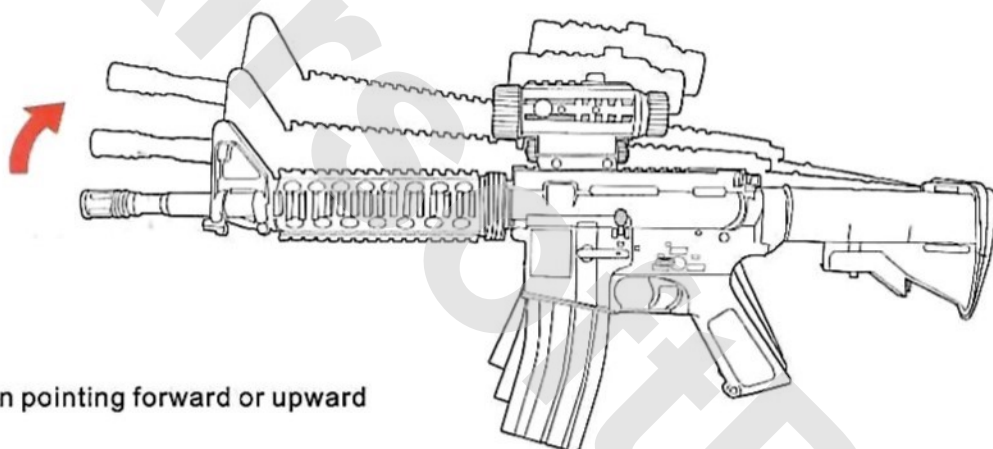
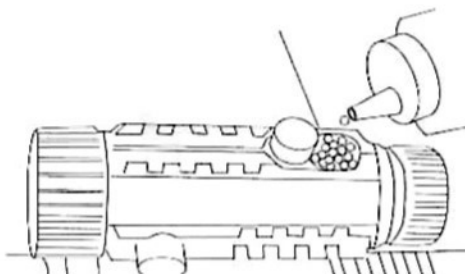
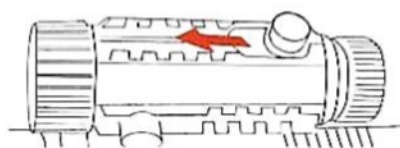
In the selector position “OFF” you can select semi automatic or fully automatic firing by the way of pulling the trigger.

5 安裝子彈
Install the bullet

打開彈倉口，裝入子彈
Open the muzzle and install bullets



Fit on best dot sight.
By rotation in clockwise tight securing

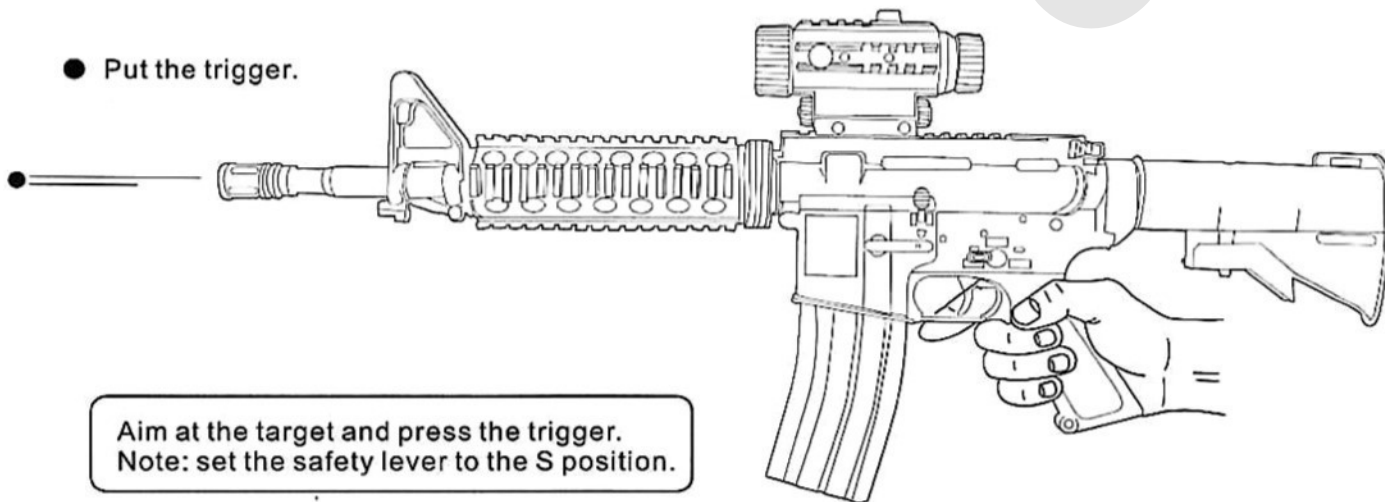


Gun pointing forward or upward

- Confirm that the safety lever is set to the safety position and don't place your finger on the trigger.
- Pushing down the magazine strongly may cause damage to the gun or the magazine. Make sure no dirt gets into the charger on the top.

6 射击
Firing (Confirm safety sufficiently before beginning firing.)

- Put the trigger.



Aim at the target and press the trigger.
Note: set the safety lever to the S position.